

SC19

Denver, CO | hpc is now.

Lenovo DAOS Update

DAOS User Group @ SC19 Denver

Michael Hennecke | 20-Nov-2019

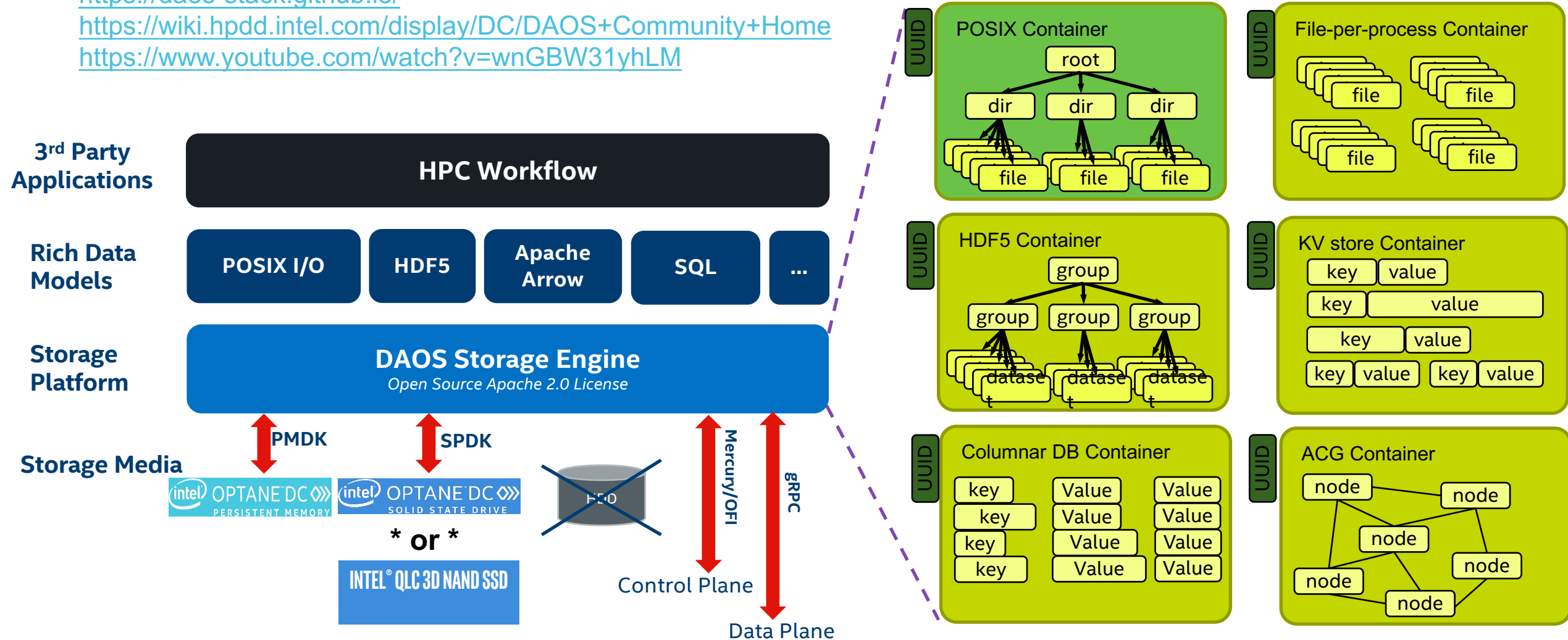
Lenovo™

Distributed Asynchronous Object Storage

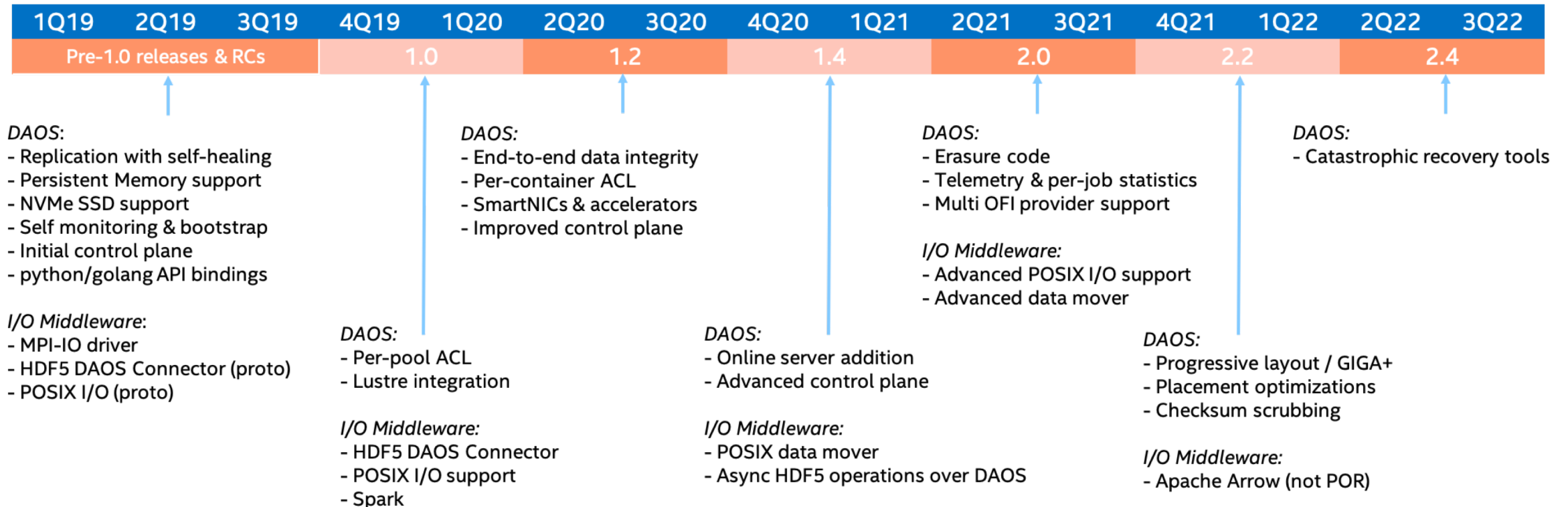
<https://daos-stack.github.io/>

<https://wiki.hpdd.intel.com/display/DC/DAOS+Community+Home>

<https://www.youtube.com/watch?v=wnGBW31yhLM>



DAOS COMMUNITY ROADMAP

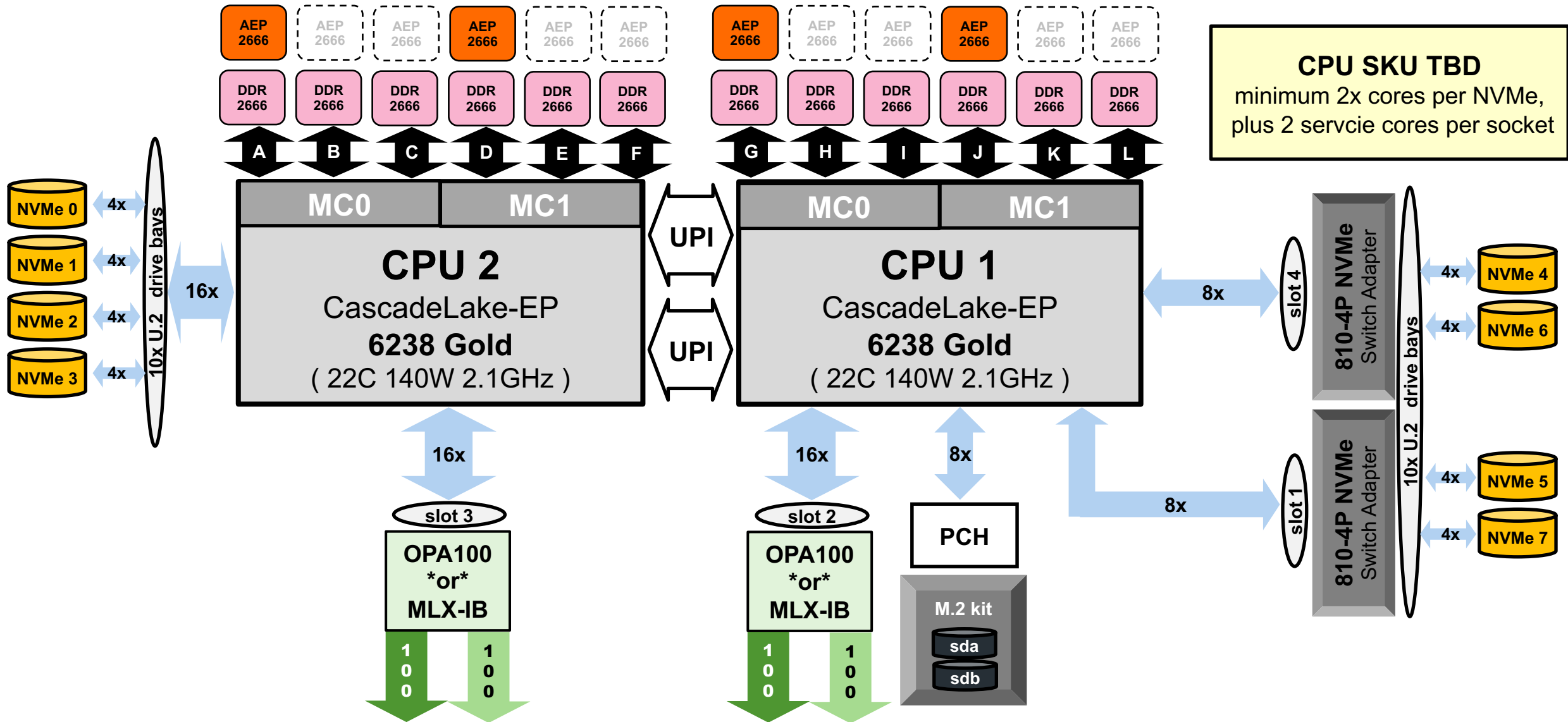


All information provided in this roadmap is subject to change without notice.

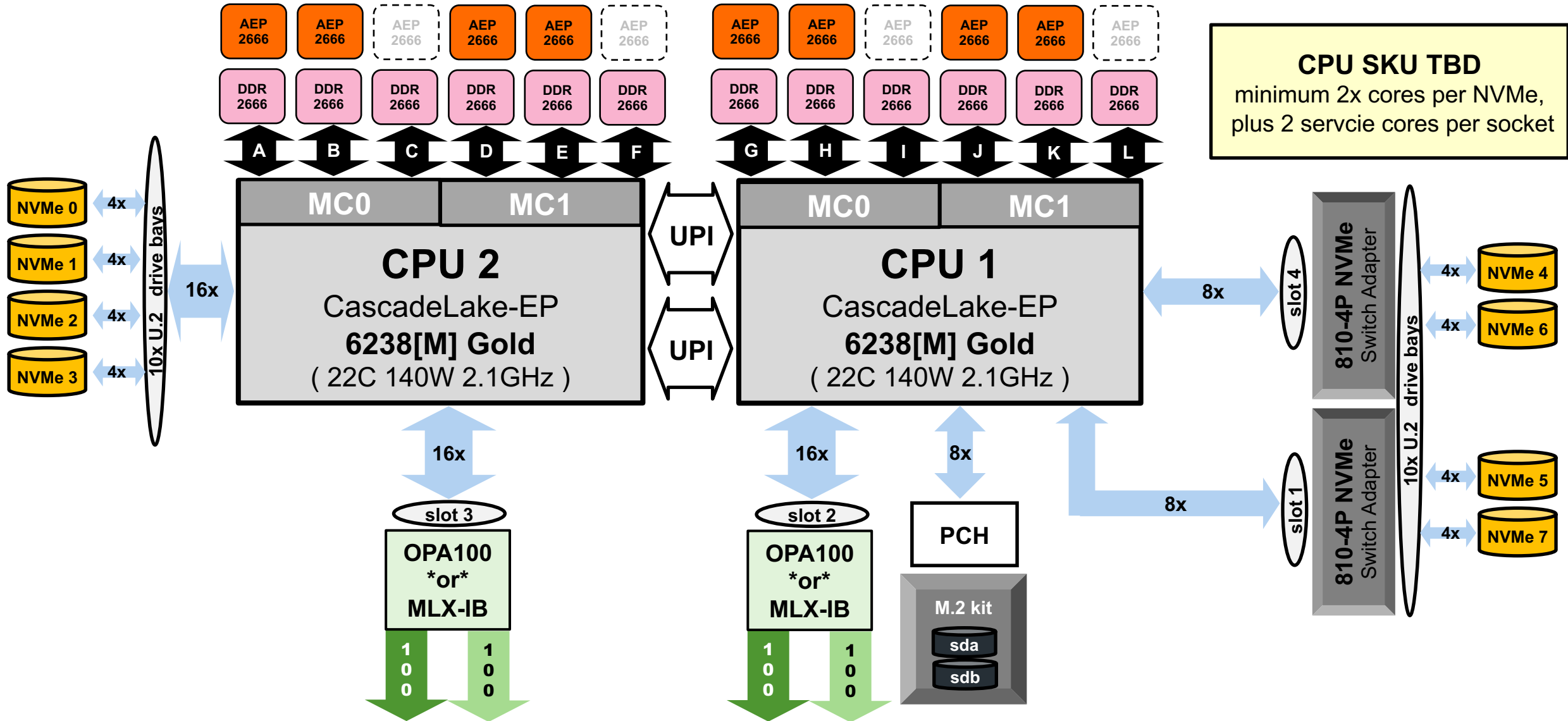
Lenovo Activities around DAOS

- Technical Enablement of the Lenovo HPC Innovation Center
 - Providing „production“ DAOS Storage to the Lenovo HPC Benchmarking Cluster
 - SLURM integration to manage „ephemeral“ DAOS containers as SLURM licenses
- Network Enablement: Mellanox Infiniband (EDR and HDR)
 - Functional and Performance Testing, with two IB links per server
- Server Price-Performance Optimisation
 - Number of DCPMM modules per Memory Channel
 - CPU SKU Selection
- Goal for late 2020 / early 2021: Lenovo „DSS-D“ Integrated Solution with DAOS, as part of the Lenovo Scalable Infrastructure (LeSI) cluster suite
 - Two to three LeSI releases per year, fully tested stack with software and firmware

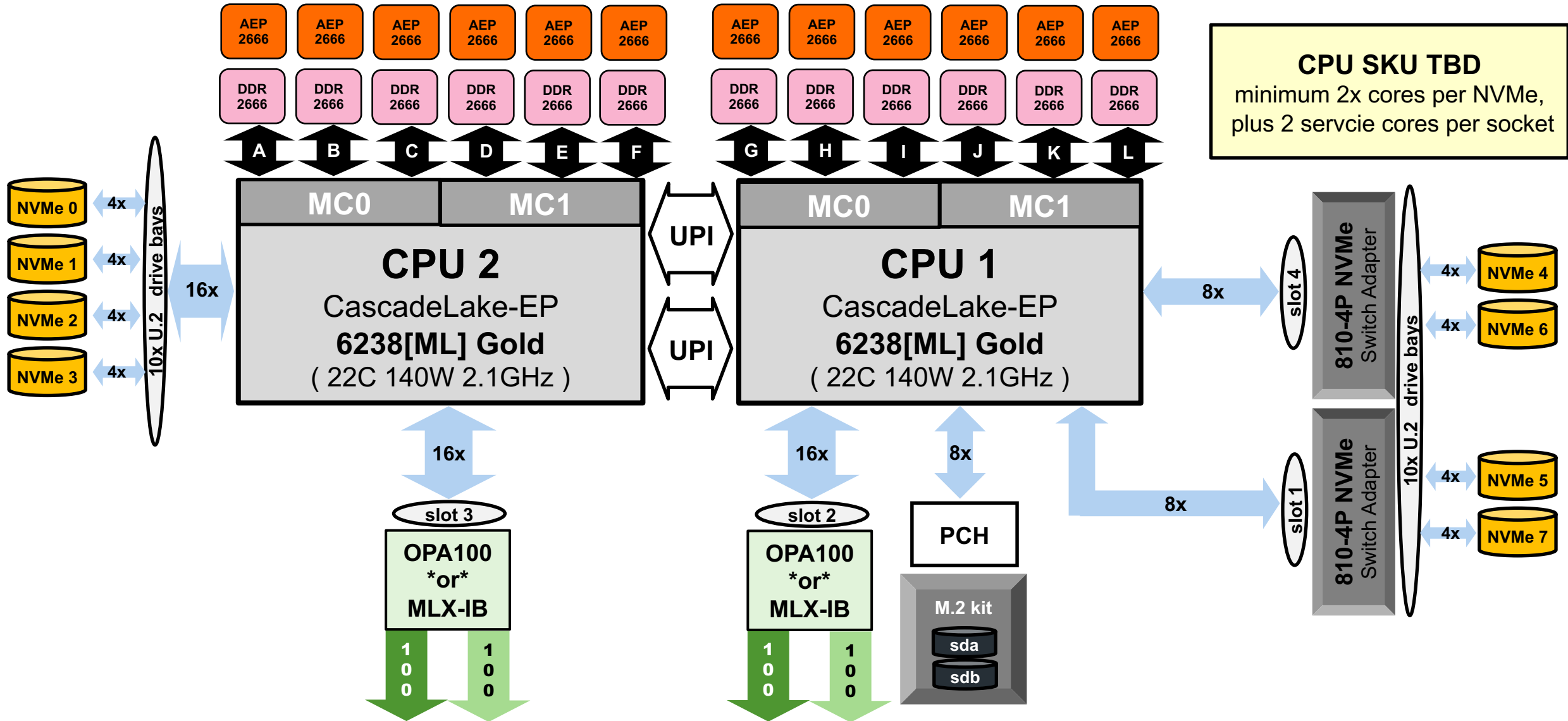
Lenovo DSS-D100 (DAOS) Node Architecture – SR630



Lenovo DSS-D100 (DAOS) Node Architecture – SR630



Lenovo DSS-D100 (DAOS) Node Architecture – SR630



Lenovo Scalable Infrastructure (LeSI) Solutions

Integrated HPC & AI Solutions based on Lenovo and OEM Partner Components

Lenovo
Systems,
Networking,
Storage
and Solutions

Lenovo



ThinkSystem Servers



Dense air &
water cooled



Lenovo Storage



ThinkSystem Networking

Factory Integration Services

Best-Recipe interoperability testing



Industry-standard,
open software tools
Simplify cluster management,
administration, and use for
HPC & AI



Lenovo

Lenovo Scalable Infrastructure (LeSI) integrated solutions

mhennecke @ lenovo.com

thanks.



From Exascale to Everyyscale™

Experience the technologies
driving Exascale



VISIT BOOTH #763

